

thePOD

BY PEABODYS

ESTATES RETAIL SOLUTIONS
RAPID / SAFE / SECURE

PEABODYS
— COFFEE • LOVE • FOOD —

modourbano

- **Accessible design** for a COVID free workplace. (Cashless, contactless, self contained)
- **Embracing new safety protocols** to deal with pandemic-control.
- **Compact size** with minimal services required - **installation in just 24 hours.**
- No compromise on **high quality** products or customed service.
- Digitalised consumption options offering **24 hours hot drink and food solutions.**
- **Simple commercial operation** with open book accounting and **direct income stream to landlord.**

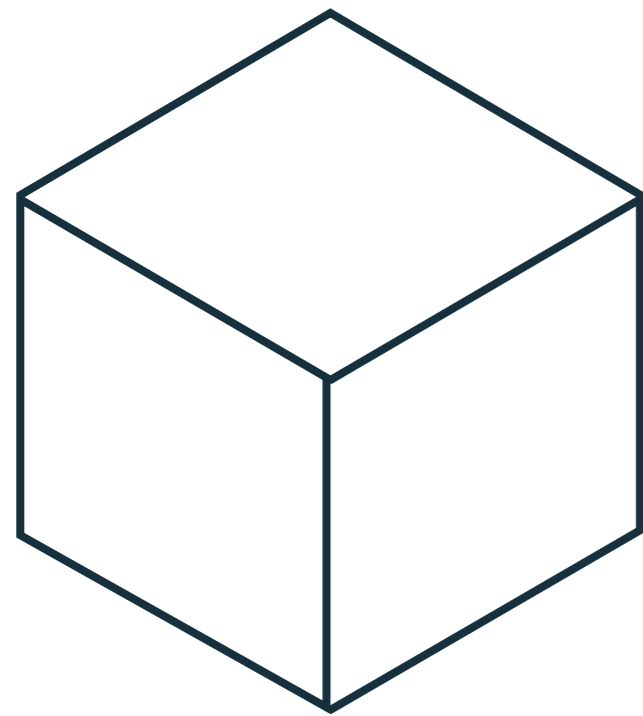
INDOOR

Indoor Pod | Modular System

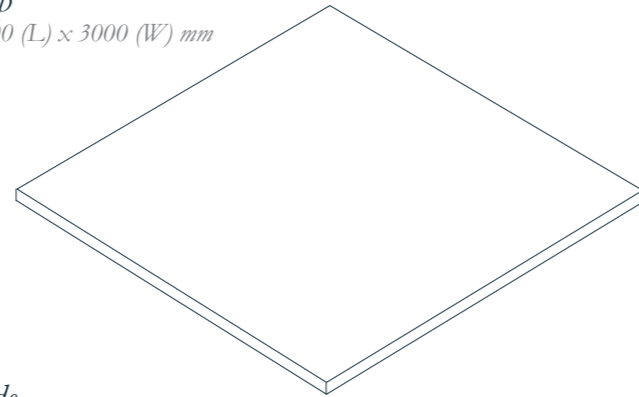
Steel and Wood Skeleton

Wood Panel

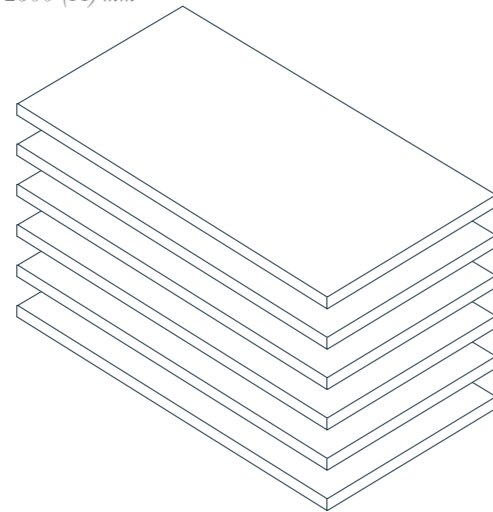
Wood Box



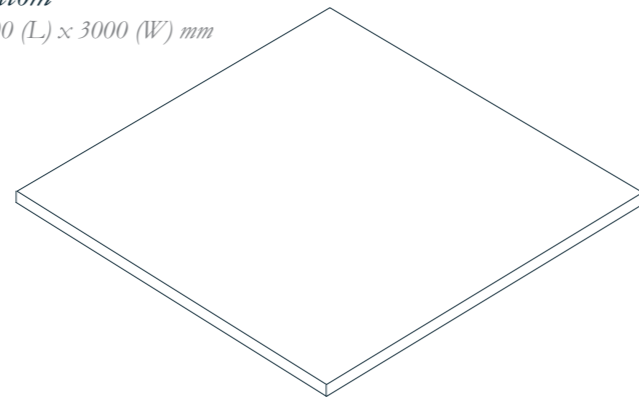
Top
3000 (L) x 3000 (W) mm



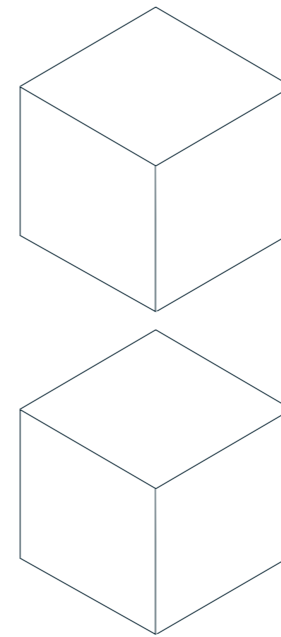
Side
1000 (L) x 2600 (H) mm



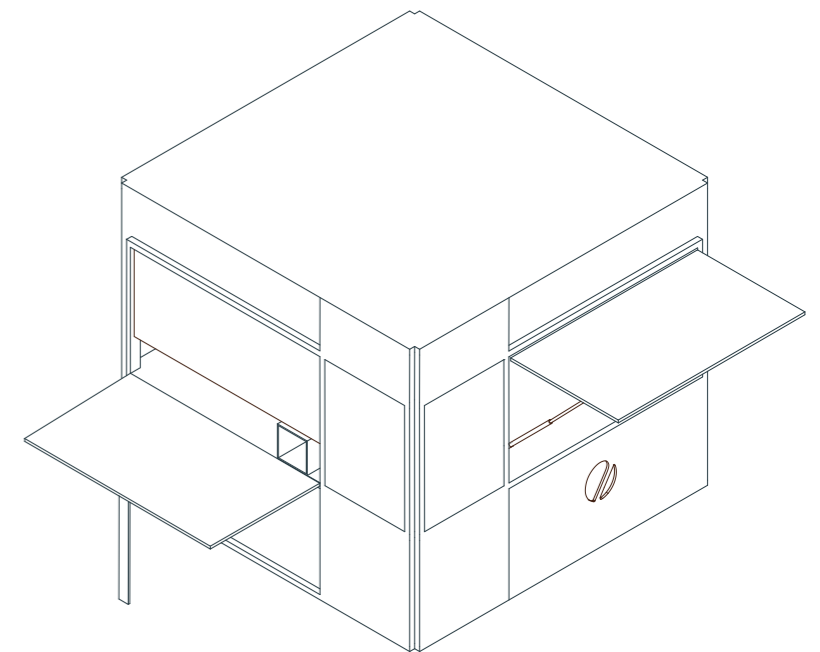
Bottom
3000 (L) x 3000 (W) mm



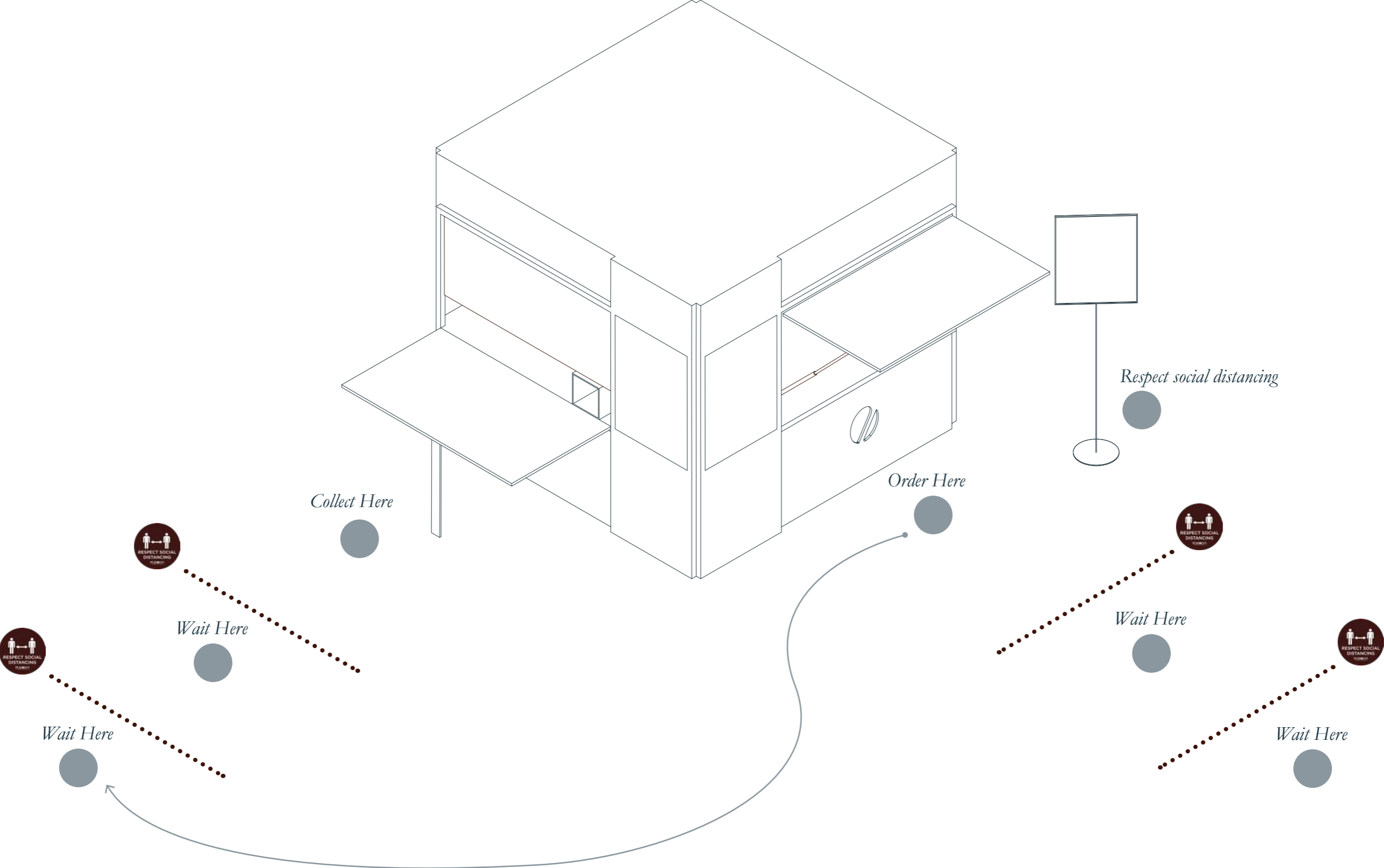
Counter
1000 (L) x 780 (W) x 1000 (H) mm



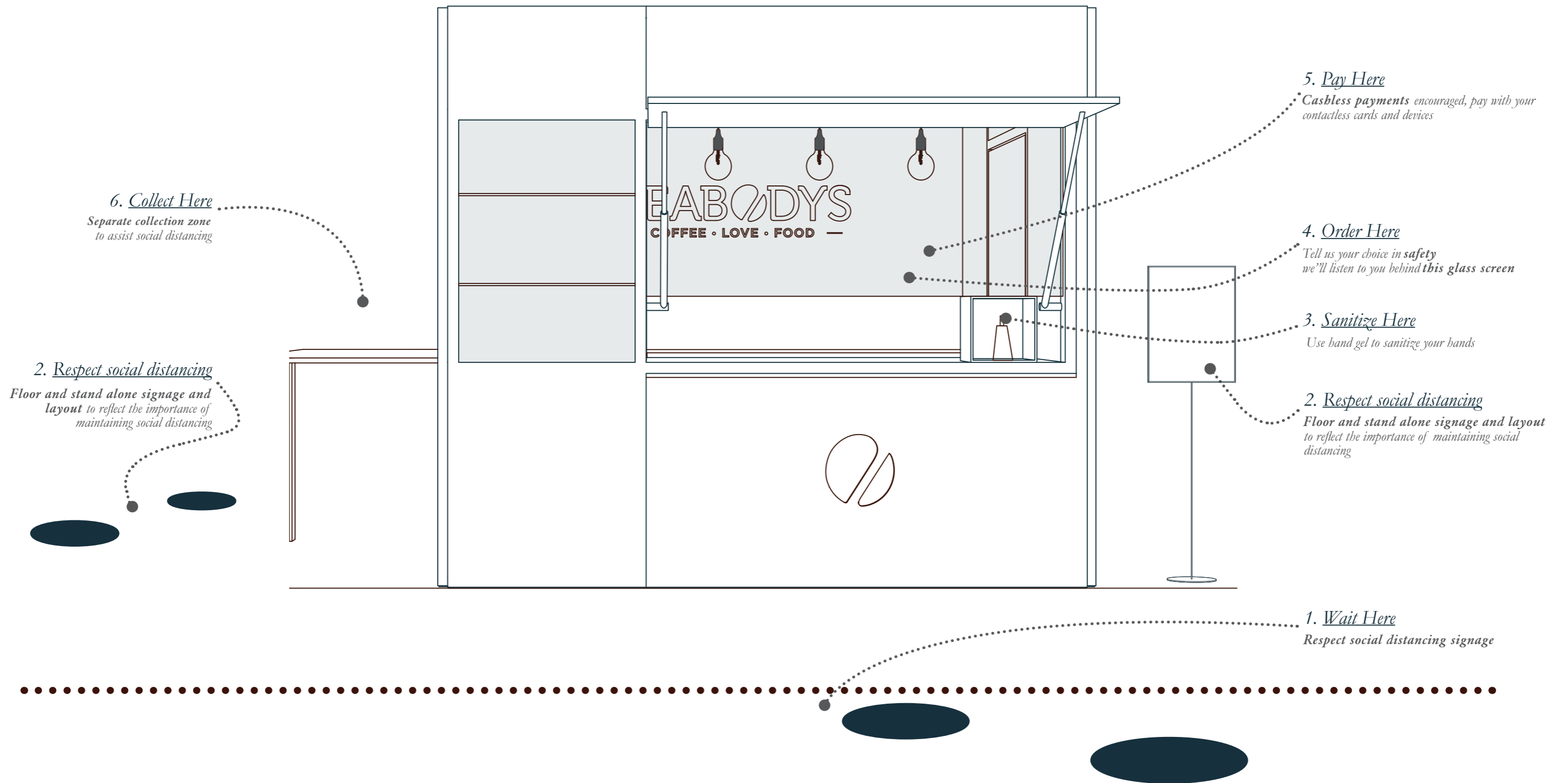
=



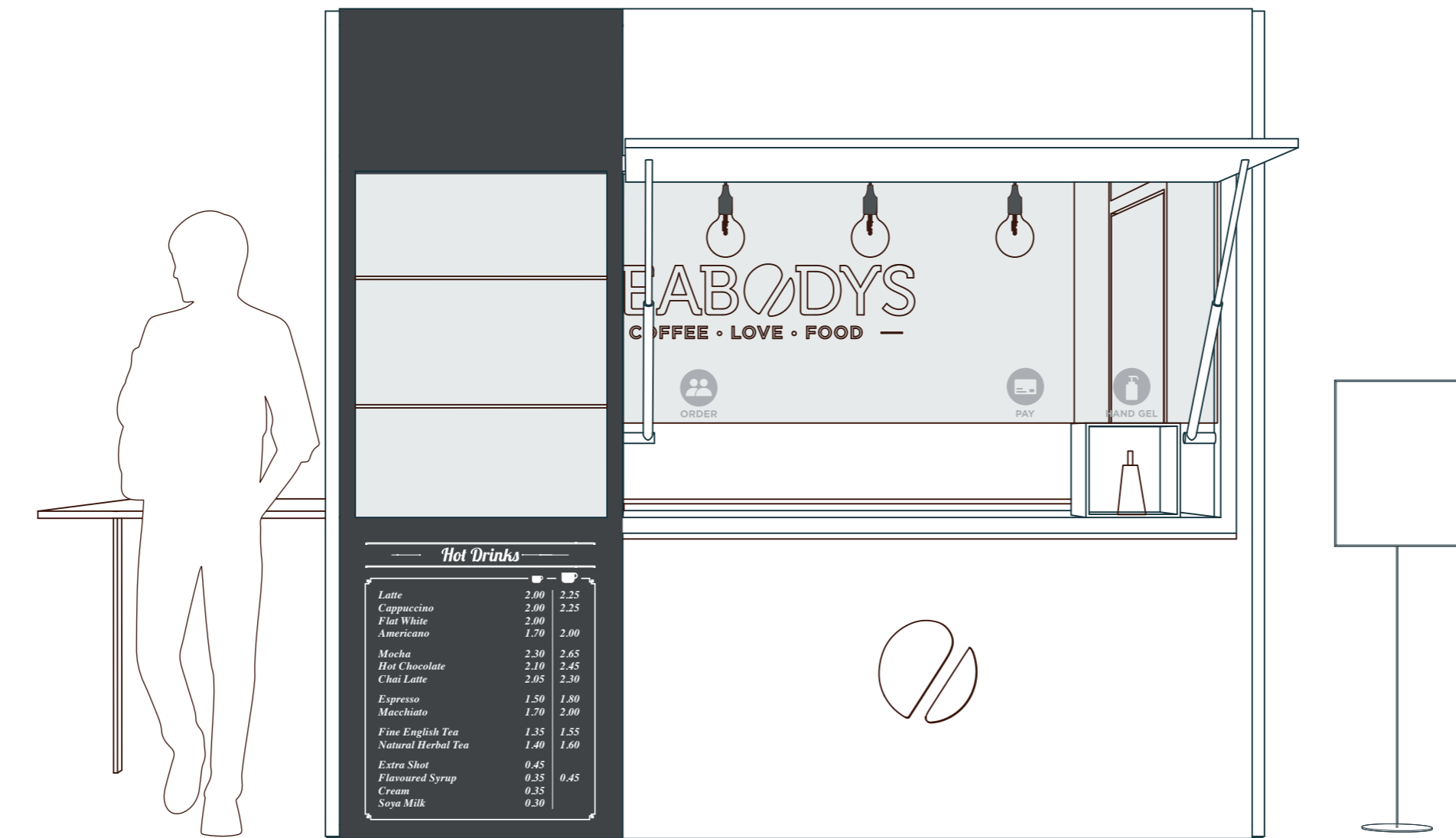
Indoor Pod | Customer Flow



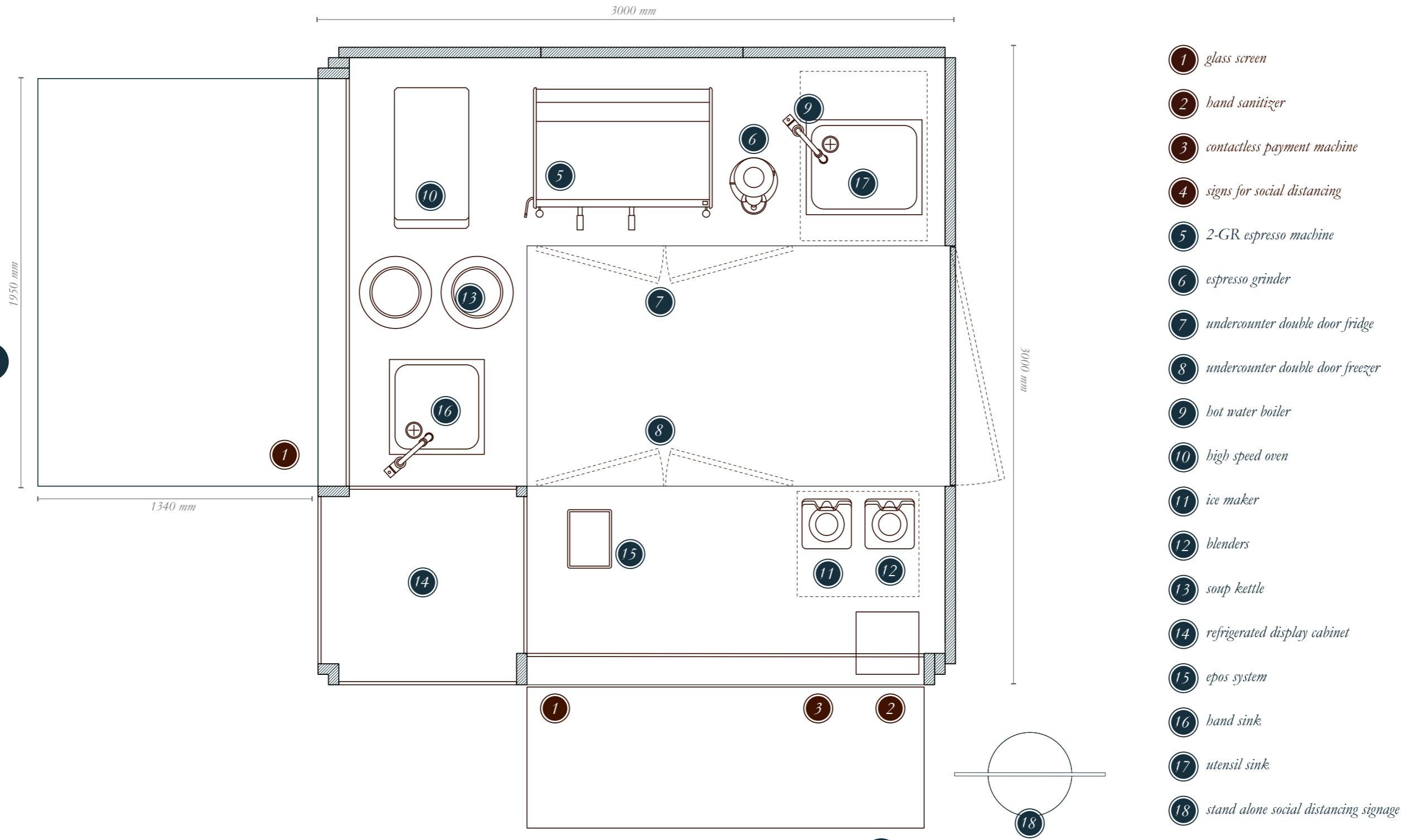
Indoor Pod | Customer Safety



Indoor Pod | Front View



Indoor Pod | Equipment & Safety Measures

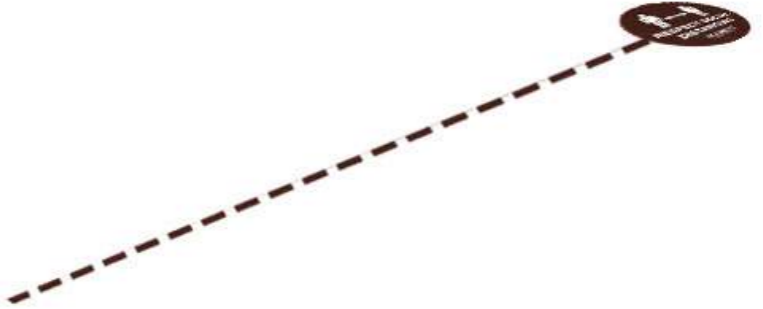






Hot Drinks		
Latte	2.00	2.25
Cappuccino	2.00	2.25
Flat White	2.00	
Americano	1.70	2.00
Mocha	2.30	2.65
Hot Chocolate	2.10	2.45
Chai Latte	2.05	2.30
Espresso	1.50	1.80
Macchiato	1.70	2.00
Fine English Tea	1.35	1.55
Natural Herbal Tea	1.40	1.60
Extra Shot	0.45	
Flavoured Syrup	0.35	0.45
Cream	0.35	
Soya Milk	0.30	

CARING NATURAL ETHICAL ORGANIC





Hot Drinks

	☕	☕
Latte	2.00	2.25
Cappuccino	2.00	2.25
Flat White	2.00	
Americano	1.70	2.00
Mocha	2.30	2.65
Hot Chocolate	2.10	2.45
Chai Latte	2.05	2.30
Espresso	1.50	1.80
Macchiato	1.70	2.00
Fine English Tea	1.35	1.55
Natural Herbal Tea	1.40	1.60
Extra Shot	0.45	
Flavoured Syrup	0.35	0.45
Cream	0.35	
Soya Milk	0.30	

FEABODYS
COFFEE • LOVE • F

ORDER

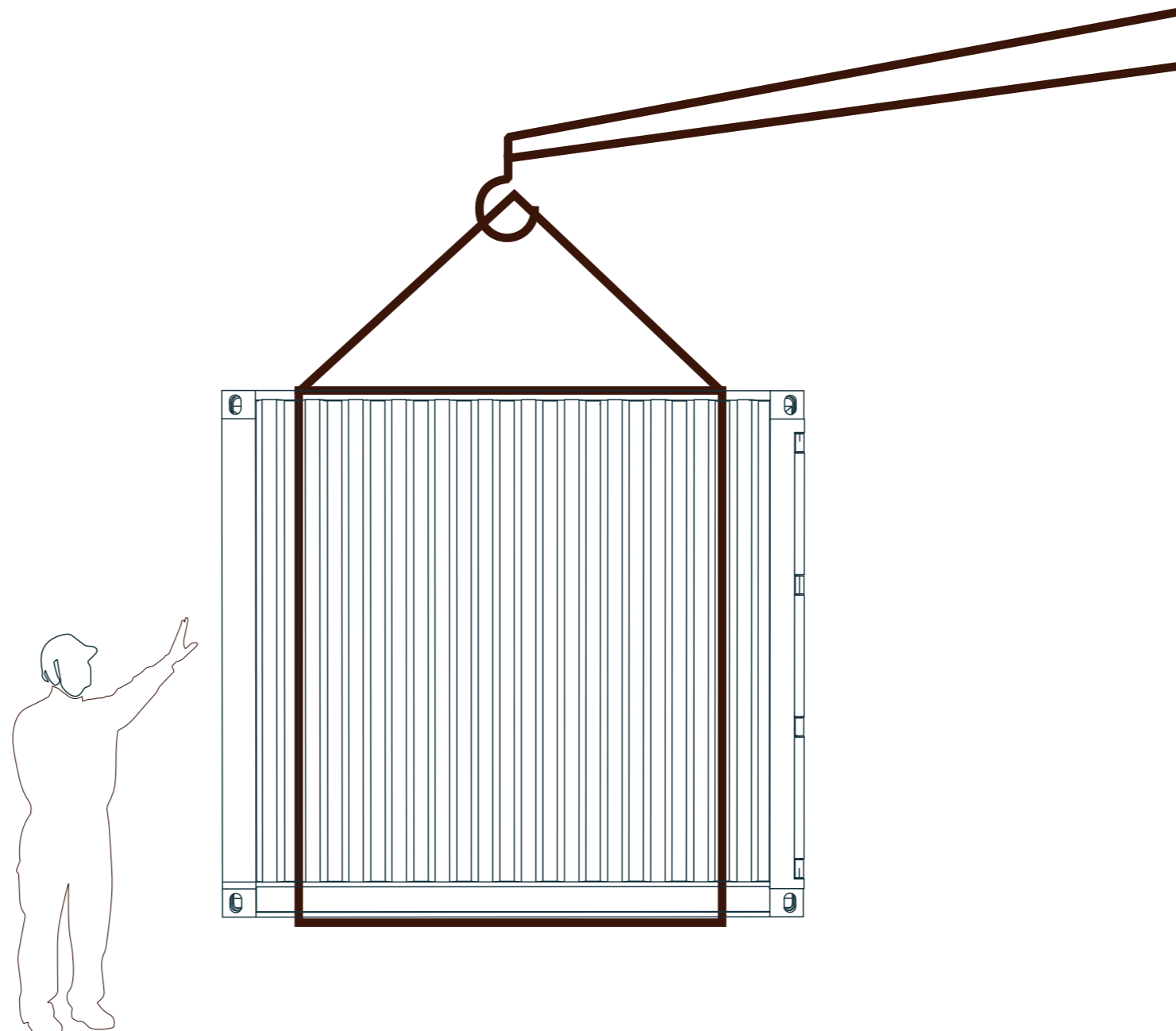
PAY

HAND GEL



OUTDOOR

Outdoor Pod | Re-use



EXTERNAL DIMENSIONS 2850 (w) x 2440 (l) x 2600 (h) mm - INTERNAL DIMENSIONS 2640 (w) x 2300 (l) x 2250 (h) mm

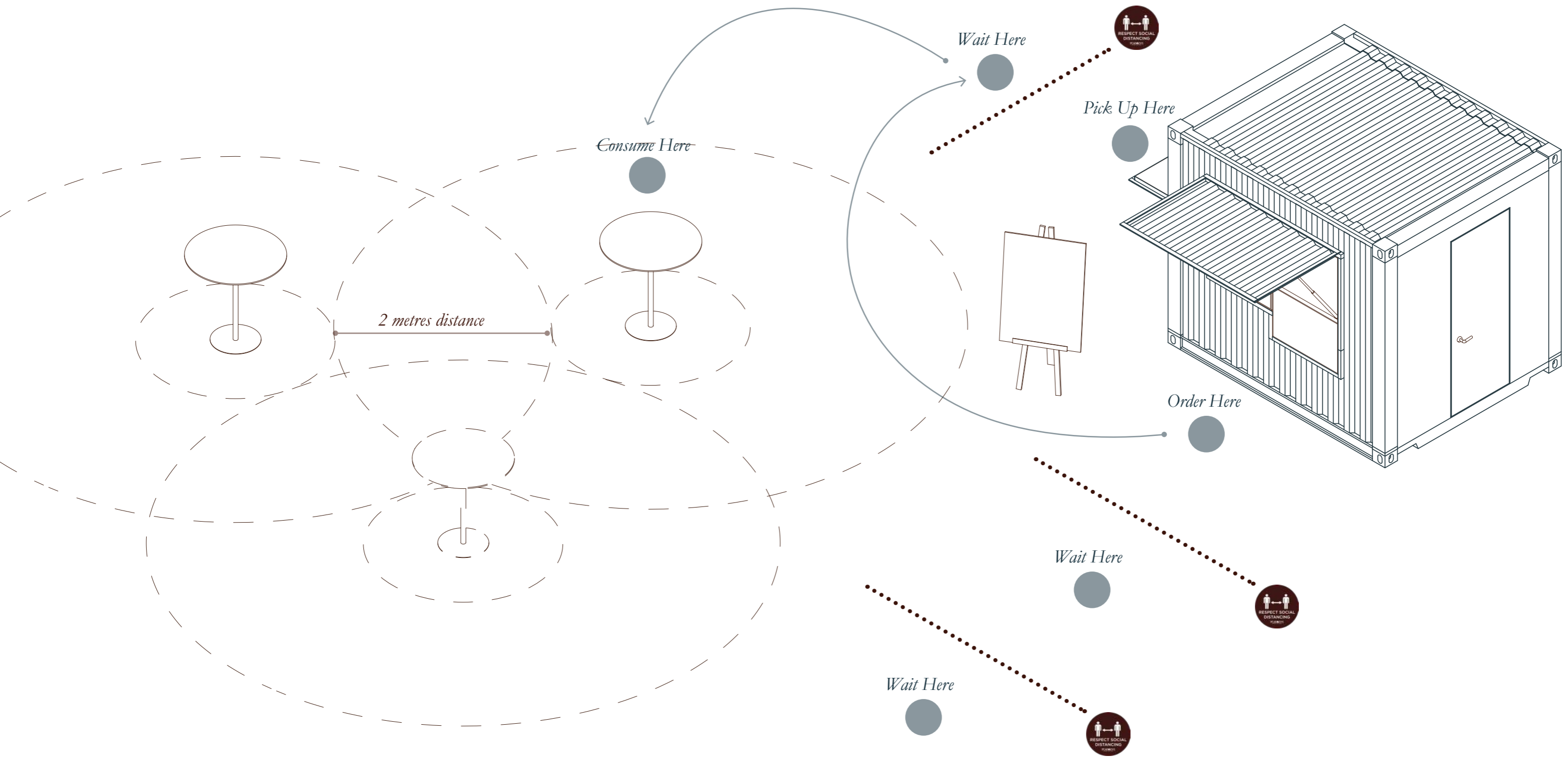
Container Frame
for easy transportation

link: [isospaces.com](https://www.isospaces.com)

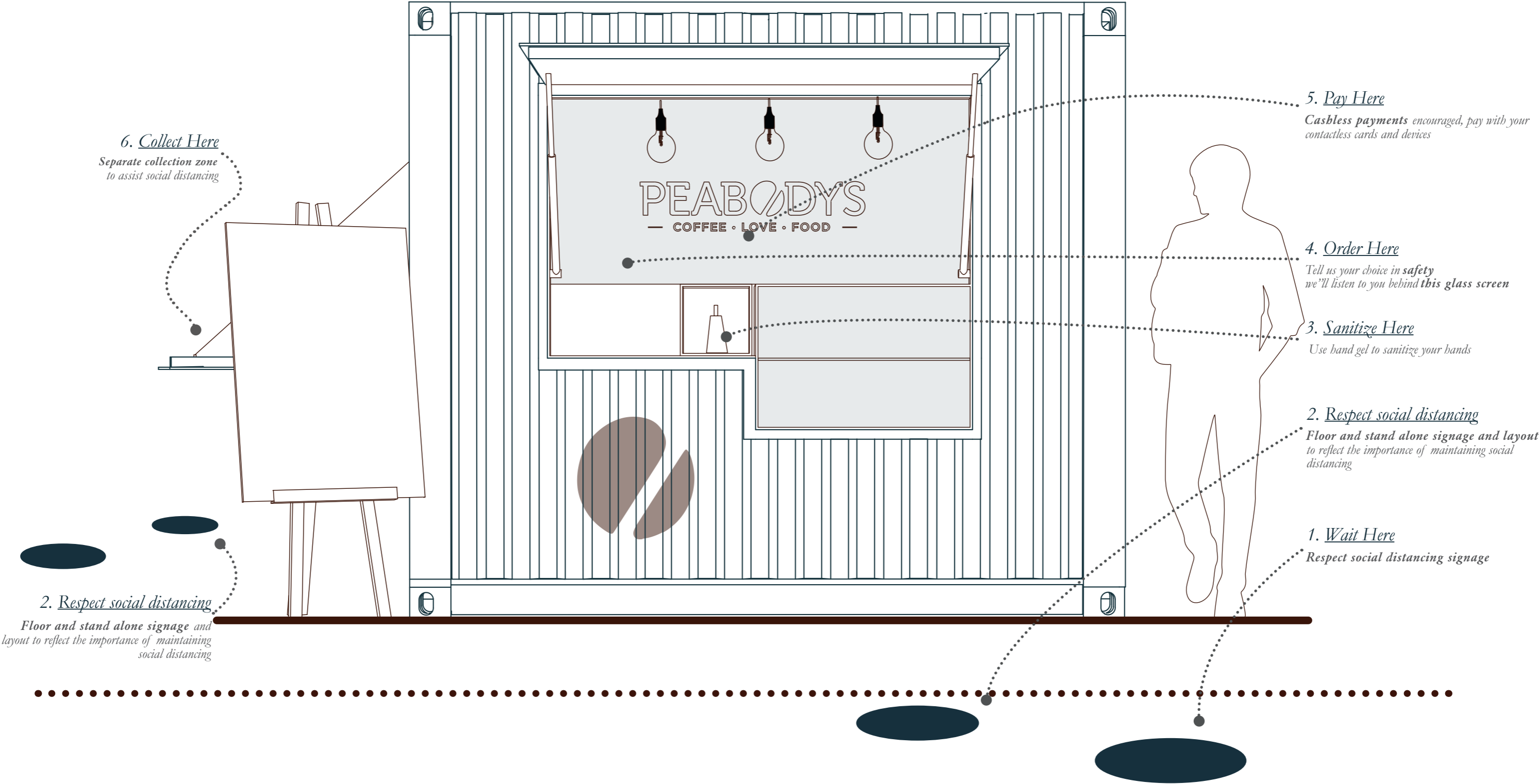
Outdoor Pod | References



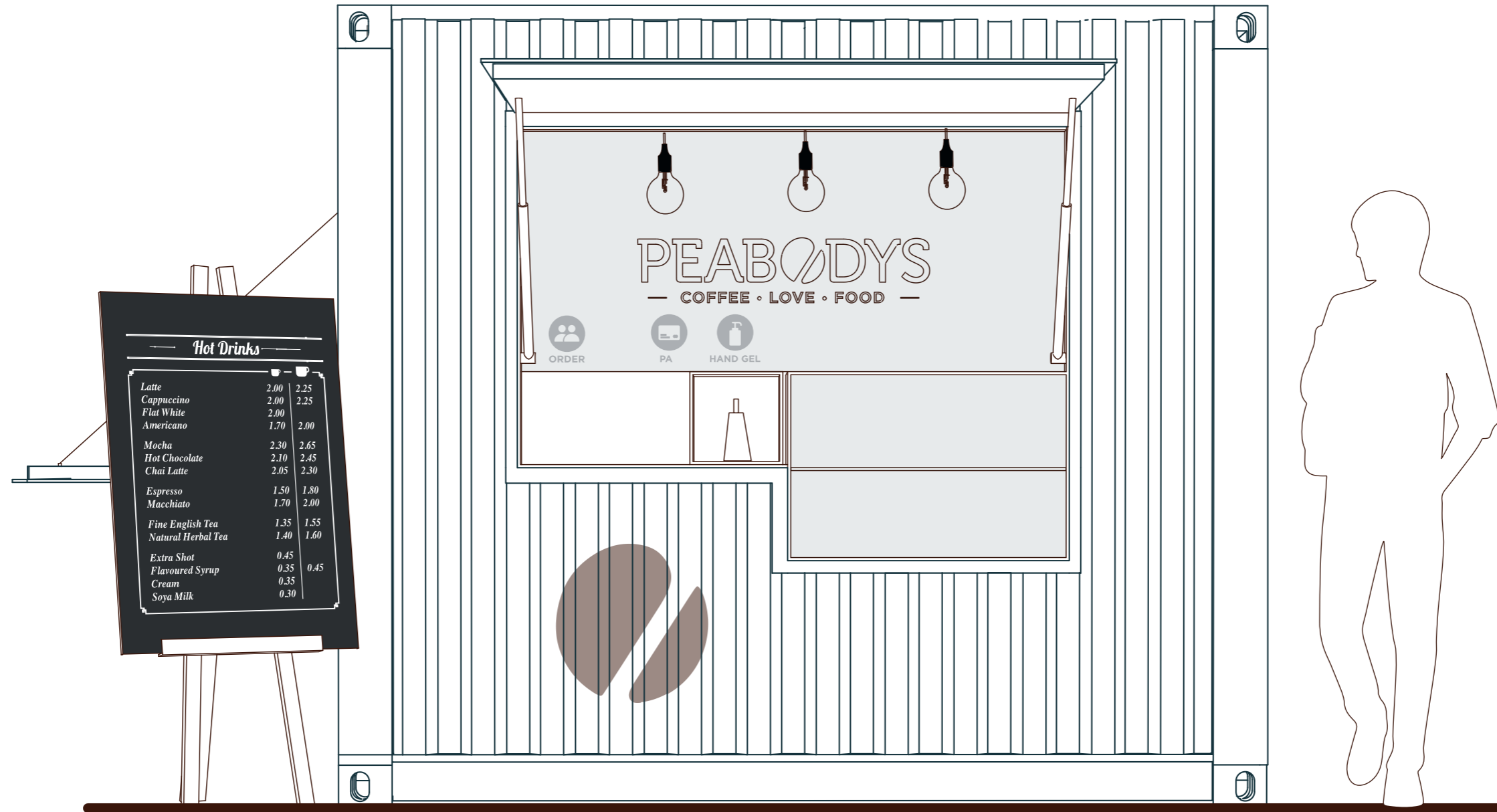
Outdoor Pod | Customer Flow



Outdoor Pod | Customer Safety



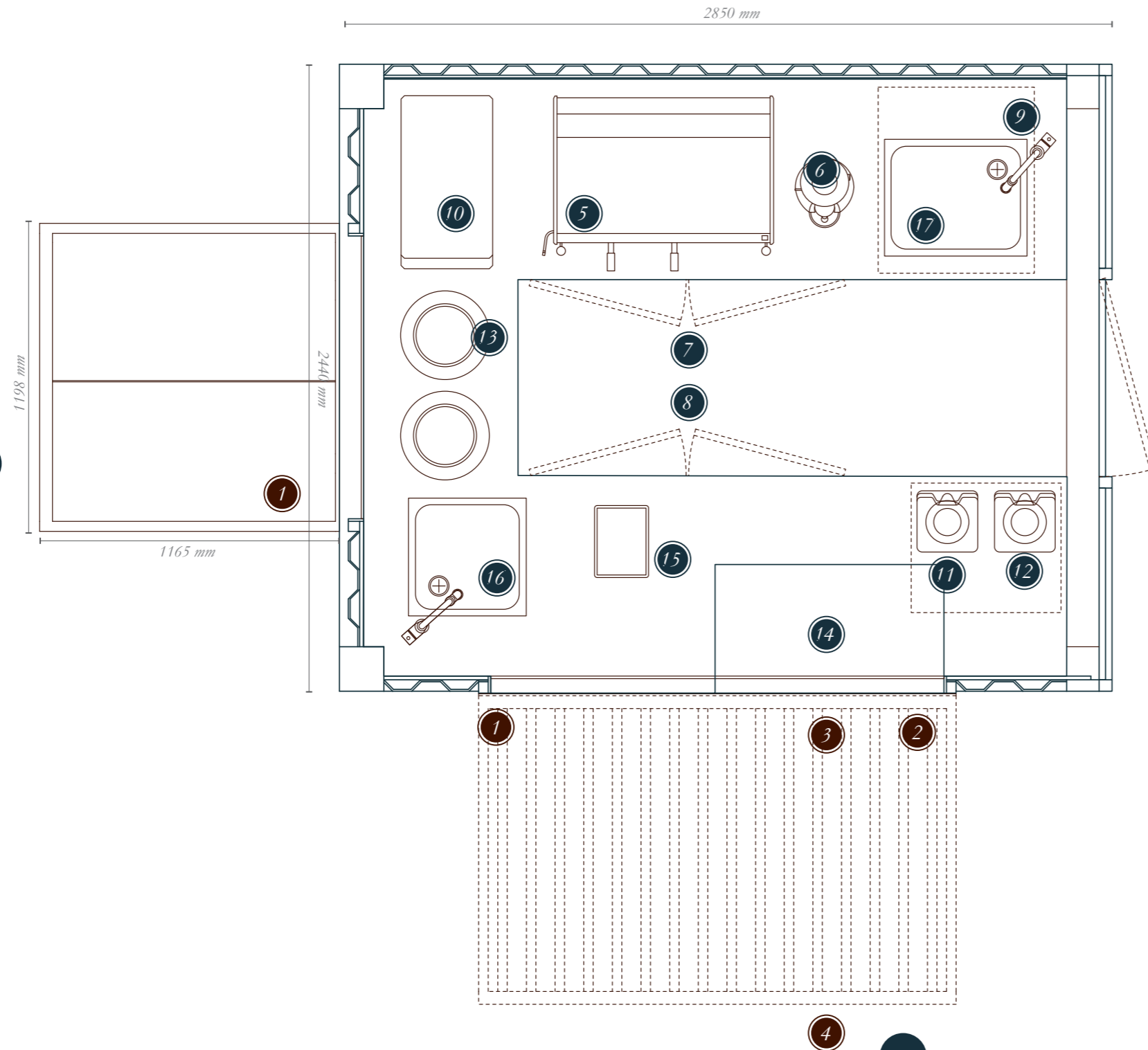
Outdoor Pod | Front View



Hot Drinks

Latte	2.00	2.25
Cappuccino	2.00	2.25
Flat White	2.00	
Americano	1.70	2.00
Mocha	2.30	2.65
Hot Chocolate	2.10	2.45
Chai Latte	2.05	2.30
Espresso	1.50	1.80
Macchiato	1.70	2.00
Fine English Tea	1.35	1.55
Natural Herbal Tea	1.40	1.60
Extra Shot	0.45	
Flavoured Syrup	0.35	0.45
Cream	0.35	
Soya Milk	0.30	

Indoor Pod | Equipment & Safety Measures



- ① glass screen
- ② hand sanitizer
- ③ contactless payment machine
- ④ signs for social distancing
- ⑤ 2-GR espresso machine
- ⑥ espresso grinder
- ⑦ undercounter double door fridge
- ⑧ undercounter double door freezer
- ⑨ hot water boiler
- ⑩ high speed oven
- ⑪ ice maker
- ⑫ blenders
- ⑬ soup kettle
- ⑭ refrigerated display cabinet
- ⑮ epos system
- ⑯ hand sink
- ⑰ utensil sink









URBAN GRAFTING
Peabodys in London



Peabody's Coffee Ltd

81 Dunstable Street

Amphill

Beds

UK

0044-(0)1525-403703

www.peabodyscoffee.co.uk

ThePod@peabodyscoffee.co.uk

Twitter: [@Peabody's_Coffee](https://twitter.com/Peabody's_Coffee)

Instagram: [@peabodyscoffee](https://www.instagram.com/peabodyscoffee)

Architectonical Project:

modourbano

MU Associati Milano

Via Luigi Canonica 69

20154 Milano

info@modourbano.it

www.modourbano.it